

**MANAGEMENT AND DEVELOPMENT FOUNDATION
CALL FOR TENDER**

PART-A:

INSTRUCTIONS TO BIDDER

| | |
|--------------------------|--|
| Date | April 29, 2023 |
| Tender reference | MDF/TENDER/ER-2/LOT-1/2023 |
| Starting Date | April 29, 2023 |
| Closing Date | May 15, 2023 |
| Subject of Tender | Supply of Material and Construction of 200 Bathing Places |

To support its ongoing Early Recovery and Response Project Flood-2022 operations in District Dadu Sindh Pakistan, MDF with its partner Oxfam GB is launching a local competitive bidding and is requesting qualified bidders to provide detailed written offers for the items listed below.

| | |
|---|---|
| Description | Supply of Material and Construction of Bathing Places |
| Product class/category | Construction Contract |
| Delivery Conditions | As per Union Councils mentioned below |
| Quantity | According to specifications below |
| Timeframe and Length of Contract | Work must be completed on deadline agreed and mentioned in the agreement. |

Detailed location terms:

The quoted priced must include all Material, labour, transportation, loading unloading, shifting of material at site and all applicable Govt Taxes costs to any village in the flood affected areas of the Union Councils specified below: Tehsil Khairpur Nathan Shah,

1. UC Gozo
2. UC Burera list of villages will be shared with agreement & work

order to selected bidder.

Detailed quantity terms:

Quantities are as specified in the Description of Work mentioned below. This contract will have no minimum value or number of items. The Contracting Authority holds the right to change quantities and slight changes to the technical specifications of all or any item and will inform well in time.

Detailed timeframe terms:

| | |
|----------------------------|---------------|
| Contract Start Date | May 25, 2023 |
| Contract End Date | July 30, 2023 |

IMPORTANT: The contractor should be able to complete the maximum quantities shown in the Description of Works within this timeframe. If this is not possible, the maximum number of Bathing Places that can be constructed per week should be shown on the bid form. MDF reserves the right to split the contract between several contractors.

General Conditions:

- i. Prices quoted for the items and works must include all applicable Government Taxes. Separately share the rates for material and services (labour).
- ii. MDF will further confirm the exact locations for delivery following the procurement committee.
- iii. Quantities shown are accurate estimates. However, there is no minimum quantity.
- iv. We prefer one single vendor! But we reserve the right to divide the order into lots and order from various bidders.
- v. For the purposes of determining the lowest evaluated bid, facts other than price such as previous performances, previous experience, quality assurance, financial soundness and such other details as the Purchaser, at its discretion, may consider appropriate measures will be taken into consideration.

Instructions for submission:

1. Bidders are requested to fill in, sign, stamp and return the given Quote Form (according to MDF format only, NOT on their own paper);
2. Bidders should also attach a copy of Company registration certificate and/or licence, NTN/SNTN/PEC or any other certification along with profile if available.
3. Sealed bids should be accompanied with **2. % Bid Security** of the total bid value in the shape of Pay Order / Demand Draft in the name of **M/s Management & Development Foundation** is mandatory
4. The bidder is required to submit the Client list of at least Three (03) firms with their addresses & Telephone Numbers whom the required items have been provided.
5. The bidder/ supplier will submit an affidavit on legal stamp paper of Rs. 100/- that their firm has not been blacklisted in the past.
6. The offers must be submitted through post/courier/by hand in a sealed envelope to the following address:
MDF Head Office, House No. B-30, G.E.C.H Society, Qasimabad Hyderabad
7. Each page of the submitted documents should be signed and stamped.
8. The tender documents should reach not later than May 15, 2023 or before 05:00 pm at given address.
9. Unsealed envelopes and late offers cannot be considered.

10. The following number can be contacted for general enquiries: 0336-7088008

Required documents for submission

1. **PART A** – Instructions to Bidders must be attached, filled, signed and stamped by the supplier (compulsory)
2. **PART B** – Quote Form must be attached, filled, signed and stamped by the supplier and the bid prices shall be in PKR. The supplier **MUST** state the number of Masons unskilled labor and that will be committed to the project and the number of Bathing Places which can be constructed per week.
3. Photocopy of CNIC
4. **ANNEXES** – A Company registration certificate and/or license, NTN/SNTN/PEC Certificate or any other certification along with company profile if available.
5. Bidding documents.

Note:

- a. The submission of offer(s) to this call for tender may not result in the award of a contract.
- b. MDF will not be responsible for any costs or expenses incurred by the Bidders in connection with the preparation and submission of the bids to MDF.
- c. Only shortlisted suppliers will be further contacted. Should you not receive confirmation from MDF within 7 days, please consider your offer as not pre-selected.
- d. Documents sent without signature and / or stamp won't be accepted as valid offers.

FOR BIDDER'S USE

I undersigned, the Bidder, agree with the instructions and general conditions of this Call for Tender. I have read or am accurately informed regarding the Oxfam Supplier Eligibility Criteria, Oxfam Supply Policy, Oxfam Ethical Purchase Policy and Oxfam General Conditions of Purchase.

| | |
|---------------------------------------|--|
| Company Name | |
| Authorized Representative Name | |
| Signature | |
| Stamp | |

PART-B:

| ABSTRACT OF COST FOR BATHING PLACES | | | | | |
|--|---|------------|-------------|------------------|-------------------|
| S.# | MATERIALS | Qty | UNIT | UNIT RATE | TOTAL COST |
| 1 | Cement | 6 | Bag | | |
| 2 | PVC 4" | 10 | Rft | | |
| 3 | Steel Door fixed in angle iron 24 gauge with paint (2'6"x6') | 1 | Nos. | | |
| 4 | Bricks | 1023 | Nos. | | |
| 5 | Bamboos 6 of 6ft (, should be straight & first side dia 3" & other side dia must be 2.5") | 36 | Rft | | |
| 6 | Sirkhi/Chik 5x6 | 30 | Sft | | |
| 7 | plastic sheet 5x6 | 30 | Sft | | |
| Total (A) | | | | | |
| 1 | Crush | 8 | Cft | | |
| 2 | Hill Sand | 24 | Cft | | |
| Total (B) | | | | | |
| S.# | LABOUR | Qty | UNIT | UNIT RATE | TOTAL COST |
| 1 | Skilled | 2 | Man-days | | |
| 2 | Un skilled | 4 | Man-days | | |
| Total (C) | | | | | |
| Total (A+B+C) | | | | | |

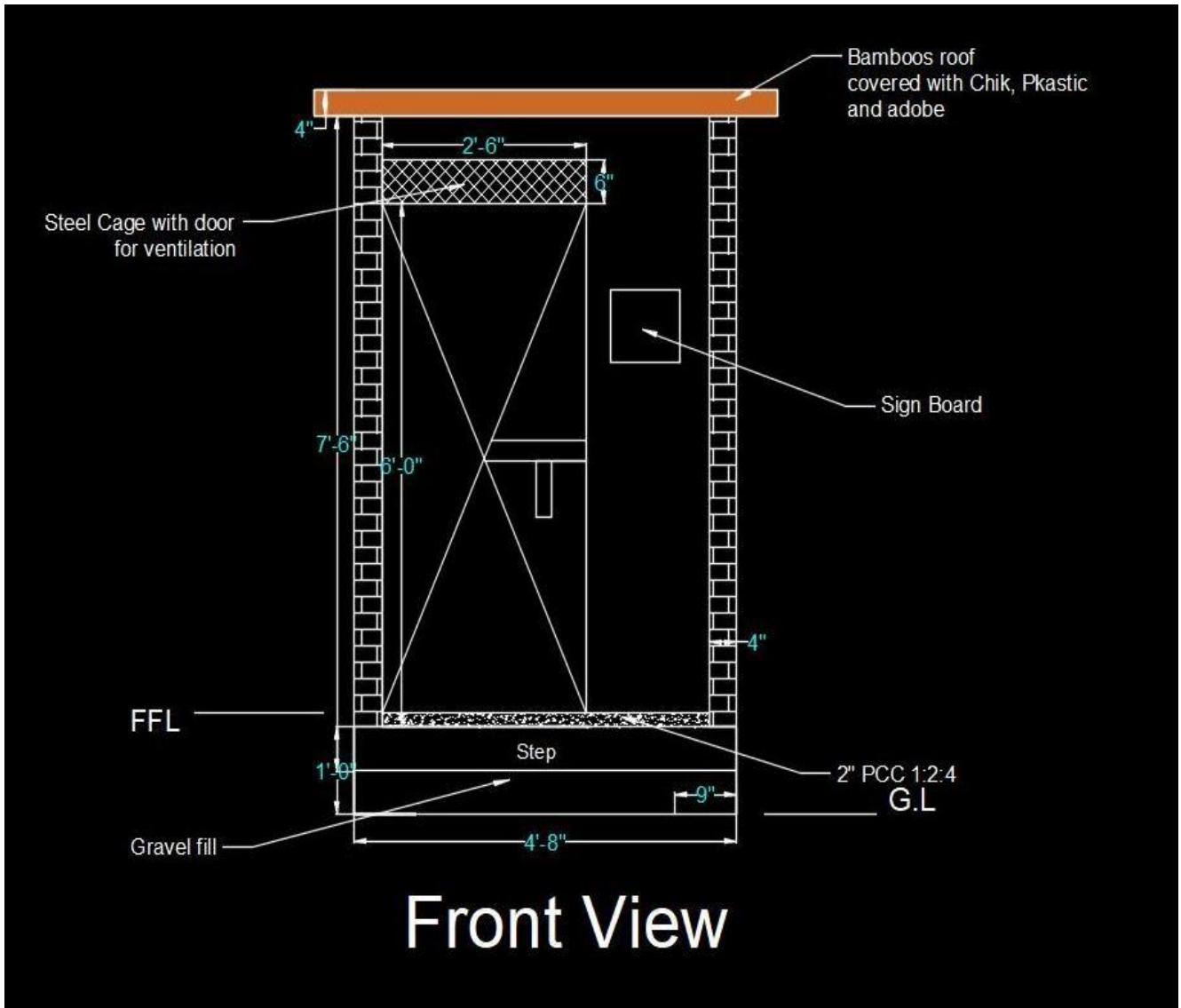
| DETAIL OF BATHING PLACES 4'x5' | | | | | | |
|---|------|------|------|------|---------------|------------|
| Particulars of item and detail of works | No. | L | B | H/D | Qty | Unit |
| | | Ft | Ft | Ft | | |
| Excavation | | | | | | |
| Excavation of soakage pit | 1.00 | 4.00 | 4.50 | 5.00 | 90.00 | Cft |
| Excavation for DPC long wall | 2.00 | 7.00 | 1.00 | 1.00 | 7.00 | |
| Excavation for DPC short wall | 2.00 | 4.00 | 1.00 | 1.00 | 4.00 | |
| Total | | | | | 101.00 | Cft |
| Plain Cement concrete in 1:3:6 | | | | | | |
| DPC | | | | | | |
| Long wall | 2.00 | 6.50 | 0.75 | 0.25 | 2.44 | Cft |
| Short wall | 2.00 | 4.00 | 0.75 | 0.25 | 1.50 | Cft |
| Floor of Bathing Places | 1.00 | 5.00 | 4.00 | 0.25 | 5.00 | Cft |

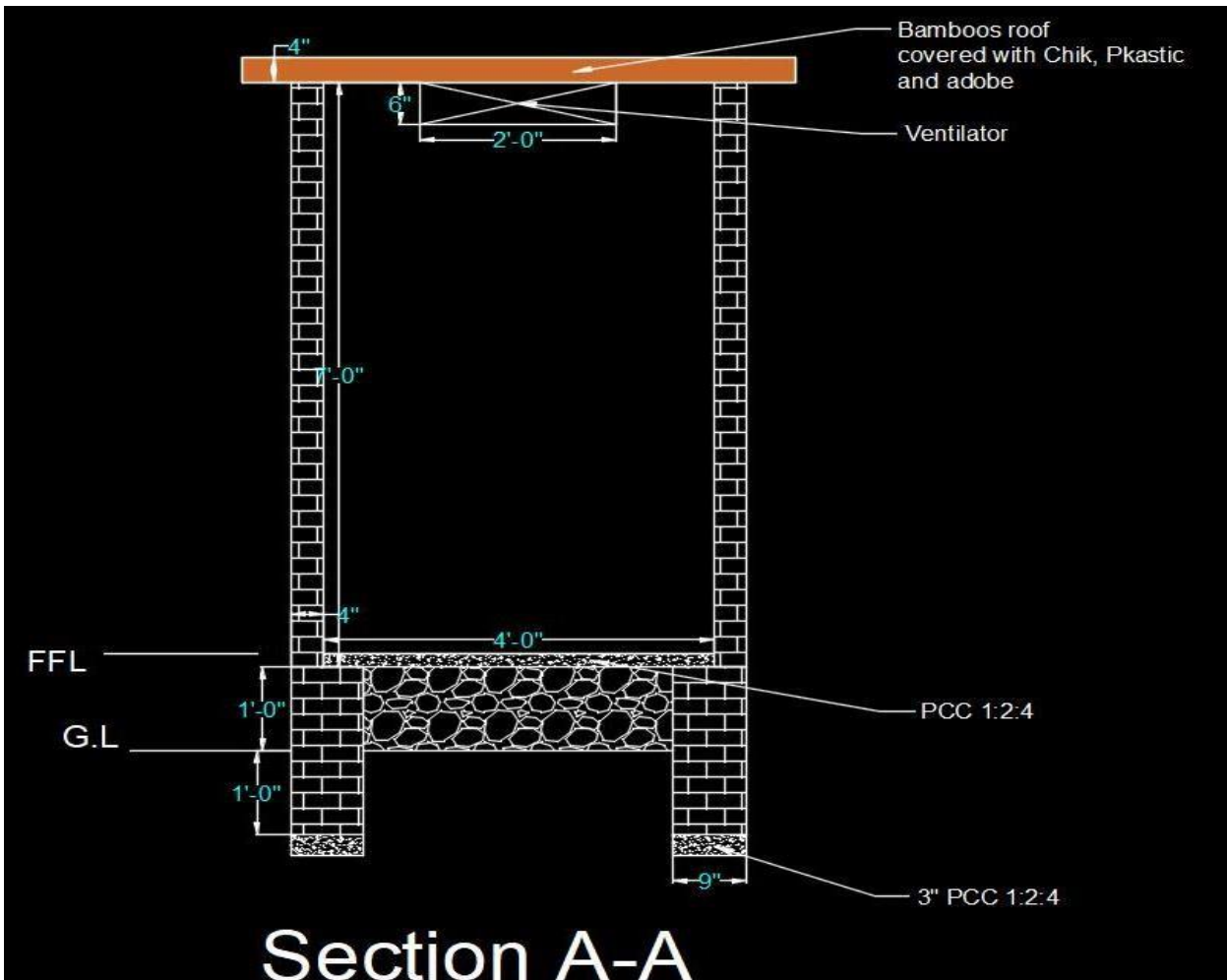
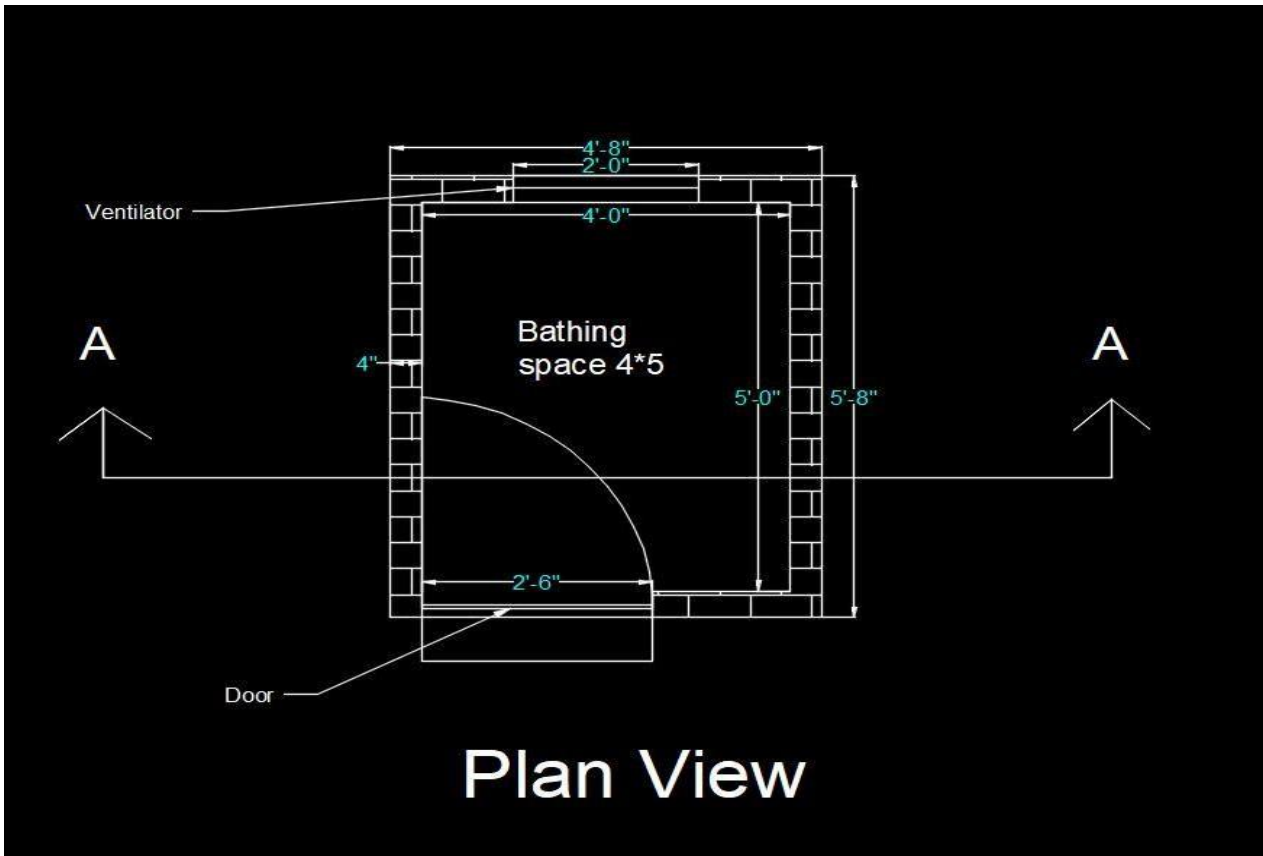
| | | | | | | |
|---------------------------------|------|--------------|------|-------------|--------------|------------|
| Total | | | | | 8.94 | Cft |
| Total PCC | | | | | 13 | Cft |
| Brick Masonry 1:4 | | | | | | |
| Long walls | | | | | | |
| Sub structure | 2.00 | 6.50 | 0.75 | 2.00 | 19.50 | Cft |
| Super structure | 2.00 | 5.60 | 0.33 | 7.00 | 25.87 | Cft |
| Short walls | | | | | | |
| Sub structure | 2.00 | 4.00 | 0.75 | 2.00 | 12.00 | Cft |
| Super structure | 2.00 | 4.00 | 0.33 | 7.00 | 18.48 | Cft |
| soakage pit | 1.00 | 4.00 | 4.00 | 0.33 | 5.28 | Cft |
| Subtotal | | | | | 81.13 | Cft |
| Deduct for door | 1.00 | 2.50 | 0.33 | 6.50 | 5.36 | Cft |
| Total Brick work | | | | | 75.77 | Cft |
| Plaster 1:4 | | | | | | |
| Long wall Bathing Places front | 1.00 | 5.80 | 0.04 | 7.00 | 1.62 | Cft |
| DPC plaster above G.L all sides | 1.00 | 10.20 | 0.04 | 1.00 | 0.41 | Cft |
| | | 16.00 | | 8.00 | | |
| Total | | | | | 2.03 | Cft |
| deduction for door | 1.00 | 2.50 | 0.04 | 6.50 | 0.65 | |
| Total plaster | | 13.50 | | 1.50 | 1.38 | Cft |
| ACCESSORIES | | | | | | |
| Iron Holdfasts | 2.00 | | | | 2.00 | Nos |
| PVC Soil pipe | 1.00 | 10.00 | | | 10.00 | Rft |
| Socket | 1.00 | | | | 1.00 | Nos |
| Elbow | 1.00 | | | | 1.00 | Nos |
| Steel door | 1.00 | | | | 1.00 | Nos |
| Roofing | | | | | 2.00 | |

| | | | | | | |
|---------|------|------|------|--|-------|-----|
| Bamboos | 6.00 | 6.00 | | | 36.00 | Rft |
| Sirki | 1.00 | 6.00 | 6.00 | | 36.00 | Nos |
| Plastic | 1.00 | 6.00 | 6.00 | | 36.00 | Sft |

QUANTITIES OF MATERIAL & LABOUR REQUIRED

| Description | Qty | Unit | Cement | Sand | Crush | Brick | Steel | Skilled | Unskilled |
|-------------------|--------|------|-------------|--------------|-------------|----------------|-----------|-------------|-------------|
| | | | Bag | Cft | Cft | No | Kg | Labour | Labour |
| Excavation | 101.00 | Cft | | | | | | | 0.84 |
| Brick Masonry 1:4 | 75.77 | Cft | 3.64 | 18.18 | | 1022.89 | | 1.38 | 2.16 |
| PCC 1:3:6 | 8.94 | Cft | 1.57 | 3.93 | 7.87 | | | 0.09 | 0.64 |
| plaster 1:4 | 1.38 | Cft | 0.34 | 1.70 | | | | | |
| plaster in Sqft | 20.25 | sqft | | | | | | 0.20 | 0.17 |
| Iron Holdfasts | 2.00 | Nos. | | | | | | | |
| Iron door | 1.00 | Nos. | | | | | | 0.50 | 1.00 |
| Soil Pipe 4" | 10.00 | Rft | | | | | | 0.11 | 0.22 |
| Cowl | 1.00 | Nos. | | | | | | | |
| Socket | 1.00 | Nos. | | | | | | | |
| Elbow 4" | 1.00 | Nos. | | | | | | | |
| Sub Total | | | 5.55 | 23.82 | 7.87 | 1022.89 | 00 | 2.28 | 5.04 |
| Total | | | 6 | 24 | 8 | 1023 | 00 | 2 | 5 |





PART-C:

BIDDER'S CHECK LIST

(For MDF use only)

Date: _____

Supplier Code: _____

Before submitting your bid, please make sure that each of the following items are complete:

| Description | Complete? | Comments (For MDF use only) |
|--|-----------|--------------------------------|
| 1. PART A – Instructions to Bidders is attached, filled, signed and stamped by the supplier. | yes / no | |
| 2. Quote Forms are attached, filled, signed and stamped by the supplier. | yes / no | |
| 3. The bid prices are in PKR and include all applicable taxes. | yes / no | |
| 4. The number of Masons available and maximum capacity of the contractor is shown in PART B table. | yes / no | |
| 5. Photocopy of owner CNIC is attached. | yes / no | |
| 6. All documents placed in an envelope and sealed | yes / no | |
| 7. 2.% Bid Security of the total bid value in the shape of pay order / demand draft in the name of M/s Management & Development Foundation | yes / no | |
| 8. The bidder/ supplier will submit an affidavit on legal stamp paper of Rs. 100/- that their firm has not been blacklisted in the past. | yes / no | |